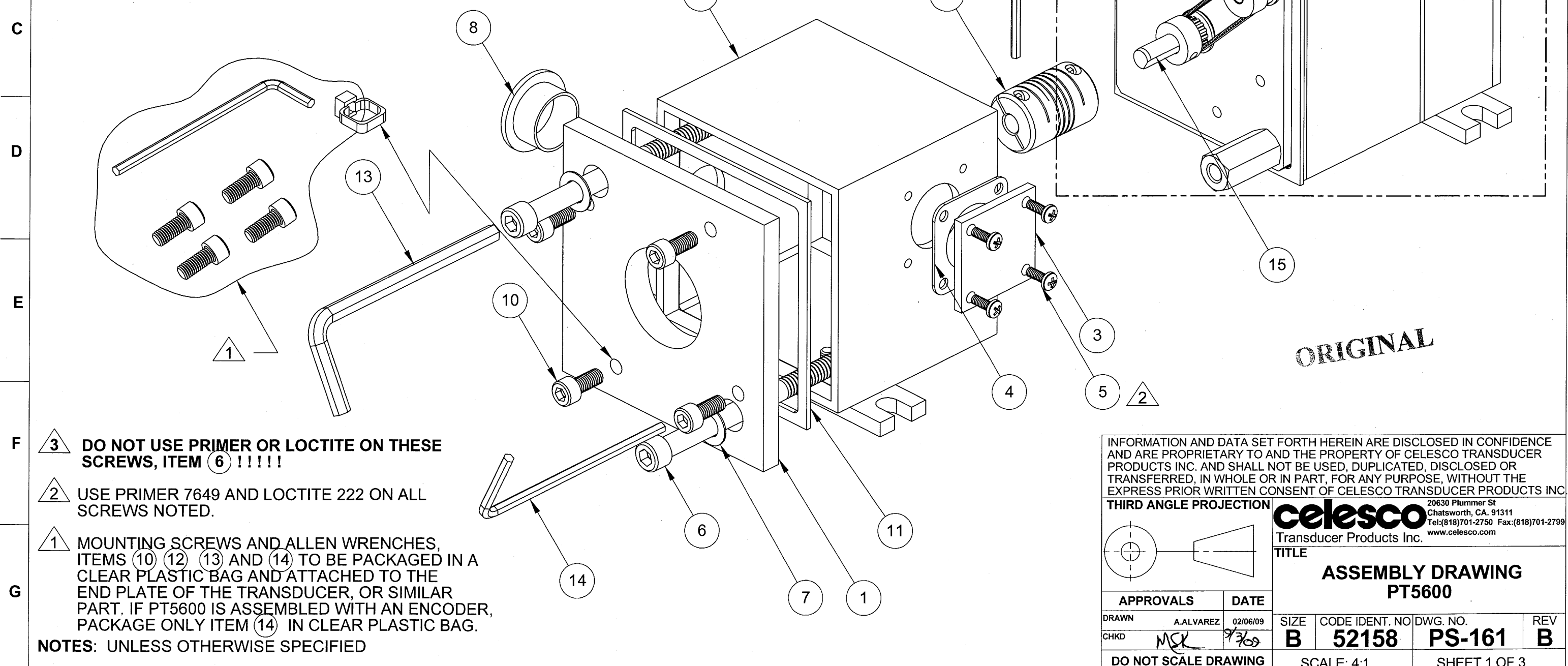


	1		2		3		4		5		6		7		8		9		10
	15	SEE TABLE 1	SUBASSY,MAIN SHAFT/SPRING PIN		1		1												
	14	SEE TABLE 1	WRENCH, ENCODER MOUNTING SCREWS		1		1												
A	13	9000040-0004	WRENCH,HEX,3/16 INCH		1		1												
	12	SEE TABLE 2	WRENCH, COUPLING		1		1												
	11	9677458-0000	GASKET,RUBBER,PT5A		1		1												
	10	SEE TABLE 1	ENCODER MOUNTING SCREWS		AR														
	9	SEE TABLE 2	FLEXIBLE COUPLING		1		1												
	8	9030000-0013	PLUG,HOLE,NYLON,BLACK,3/4 DIA		1		1												
	7	9650615-0000	WASHER,MTL-RUBBER,PER 650615		2		2												
B	6	9650444-0219	CSCR CRES 0.250-20X2.00 SKT HD		2		2												
	5	9007121-4406	MSCR CRES 0.112-40X.31 XRSPNH		4		4												
	4	9000320-0006	GASKET,FLANGED CONN, 14 SHELL		1		1												
	3	9676751-0000	COVER, CONNECTOR, CRES		1		1												
	2	9678435-0000	HOUSING, PT5600 SERIES																
	1	SEE TABLE 1	ENCODER MOUNTING PLATE		1		1												
ITEM NO.	PART NUMBER	DESCRIPTION		QTY															

REVISIONS			
REV.	DESCRIPTION	DATE	APPROVED
B	SEE DCN: 7148	09/01/09	

ASSEMBLE THIS SECTION PER PS-135



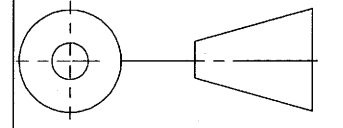
ORIGINAL

- 3** DO NOT USE PRIMER OR LOCTITE ON THESE SCREWS, ITEM **6** !!!!!
- 2** USE PRIMER 7649 AND LOCTITE 222 ON ALL SCREWS NOTED.
- 1** MOUNTING SCREWS AND ALLEN WRENCHES, ITEMS **10** **12** **13** AND **14** TO BE PACKAGED IN A CLEAR PLASTIC BAG AND ATTACHED TO THE END PLATE OF THE TRANSDUCER, OR SIMILAR PART. IF PT5600 IS ASSEMBLED WITH AN ENCODER, PACKAGE ONLY ITEM **14** IN CLEAR PLASTIC BAG.

NOTES: UNLESS OTHERWISE SPECIFIED

INFORMATION AND DATA SET FORTH HEREIN ARE DISCLOSED IN CONFIDENCE AND ARE PROPRIETARY TO AND THE PROPERTY OF CELESCO TRANSDUCER PRODUCTS INC. AND SHALL NOT BE USED, DUPLICATED, DISCLOSED OR TRANSFERRED, IN WHOLE OR IN PART, FOR ANY PURPOSE, WITHOUT THE EXPRESS PRIOR WRITTEN CONSENT OF CELESCO TRANSDUCER PRODUCTS INC.

THIRD ANGLE PROJECTION



celesco 20630 Plummer St
Chatsworth, CA. 91311
Tel:(818)701-2750 Fax:(818)701-2799
www.celesco.com
Transducer Products Inc.

TITLE			
ASSEMBLY DRAWING PT5600			
APPROVALS	DATE	SIZE	CODE IDENT. NO
DRAWN A.ALVAREZ	02/06/09	B	52158
CHKD MSK	9/3/09	PS-161	B
DO NOT SCALE DRAWING	SCALE: 4:1	SHEET 1 OF 3	

TABLE 1

MOUNTNG OPTION	F01	F02	S01	S02	S04
ENCODER MOUTNG PLATE	9678618-0000	9678615-0000	9679073-0000	9679402-0000	9678617-0000
ENCODER MOUTUNG SCREWS	9650444-0052	9650444-0054	9650444-0237	96560444-0009	9650444-0030
WRENCH, ENCODER MOUNTING	9000040-0003	9000040-0003	NOT REQUIRED	NOT REQUIRED	NOT REQUIRED
SUBASSY,MAIN SHAFT,SPNG PIN	9603893-0000	9679138-0000	9678897-0000	9603983-0000	9603983-0000

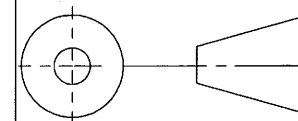
TABLE 2

	COUPLING	WRENCH
φ 1/4 TO φ 3/8	9000400-0120	9000040-0017
φ 1/4 TO φ 6MM	9000400-0126	9000040-0016
φ 1/4 TO φ 10MM	9000400-0143	9000040-0021

ORIGINAL

INFORMATION AND DATA SET FORTH HEREIN ARE DISCLOSED IN CONFIDENCE AND ARE PROPRIETARY TO AND THE PROPERTY OF CELESCO TRANSDUCER PRODUCTS INC. AND SHALL NOT BE USED, DUPLICATED, DISCLOSED OR TRANSFERRED, IN WHOLE OR IN PART, FOR ANY PURPOSE, WITHOUT THE EXPRESS PRIOR WRITTEN CONSENT OF CELESCO TRANSDUCER PRODUCTS INC.

THIRD ANGLE PROJECTION



celesco 20630 Plummer St
Chatsworth, CA. 91311
Tel:(818)701-2750 Fax:(818)701-2799
www.celesco.com
Transducer Products Inc.

TITLE
**ASSEMBLY DRAWING
PT5600**

APPROVALS		DATE	SIZE	CODE IDENT. NO	DWG. NO.	REV
DRAWN	A.ALVAREZ	02/06/09	B	52158	PS-161	B
CHKD	<i>NSK</i>	9/3/09				
DO NOT SCALE DRAWING			SCALE: 4:1		SHEET 2 OF 3	

