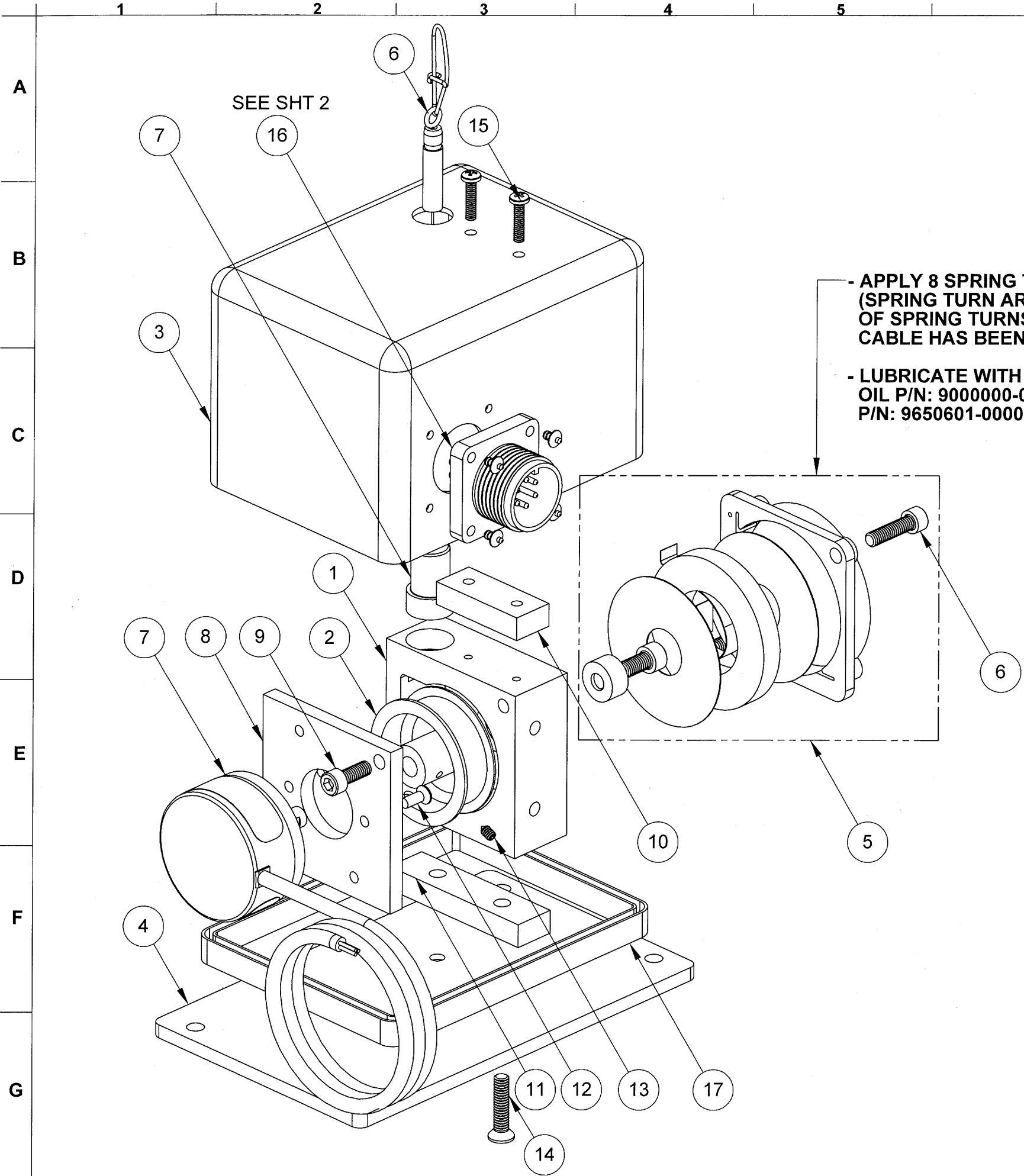


REVISIONS

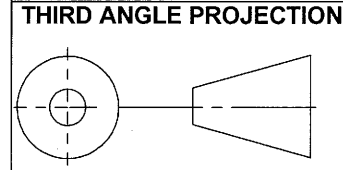
REV.	DESCRIPTION	DATE	APPROVED
B	SEE DCN: 6810	02/18/09	



ORIGINAL

17	9000320-0003	GASKET, COVER	AR
16	SEE SHEET 2	CONNECTOR	1
15	SEE TABLE 1	COVER SCW	2
14	SEE TABLE 1	C'SINK SCW,#8-32	2
13	9011264-4404	SSCR,0.112-40X3/16,SKT HD,BLOX	2
12	9650444-0231	MSCR,CRES,M3 X 8MM XRSFLH	2
11	9674595-0000	SPCR,FRAME,BTM,PSNXDCR,AL	1
10	9674003-0000	SPCR,FRAME,TOP,PSNXDCR,AL	1
9	SEE TABLE 1	ENCODER SCW	2
8	SEE TABLE 1	ENCODER PLATE	1
7	SEE TABLE 1	CABLE GUIDE	1
6	SEE TABLE 1	CABLE SUBASSY	1
5	SEE TABLE 1	SPRING ASSY	1
4	SEE TABLE 1	BASEPLATE	1
3	SEE TABLE 1	COVER	1
2	SEE TABLE 1	SPOOL	1
1	SEE TABLE 1	FRAME	1
ITEM NO.	PART NUMBER	DESCRIPTION	QTY.

INFORMATION AND DATA SET FORTH HEREIN ARE DISCLOSED IN CONFIDENCE AND ARE PROPRIETARY TO AND THE PROPERTY OF CELESCO TRANSDUCER PRODUCTS INC. AND SHALL NOT BE USED, DUPLICATED, DISCLOSED OR TRANSFERRED, IN WHOLE OR IN PART, FOR ANY PURPOSE, WITHOUT THE EXPRESS PRIOR WRITTEN CONSENT OF CELESCO TRANSDUCER PRODUCTS INC.



celesco
20630 Plummer St
Chatsworth, CA. 91311
Tel:(818)701-2750 Fax:(818)701-2799
www.celesco.com
Transducer Products Inc.

APPROVALS		DATE
DRAWN	A.ALVAREZ	02/05/09
CHKD	MSK	2/20/09

TITLE			
ASSEMBLY DRAWING PT150 SERIES			
SIZE	CODE IDENT. NO	DWG. NO.	REV
B	52158	PS-160	B
DO NOT SCALE DRAWING		SCALE: 1:1	SHEET 1 OF 4

TABLE 1

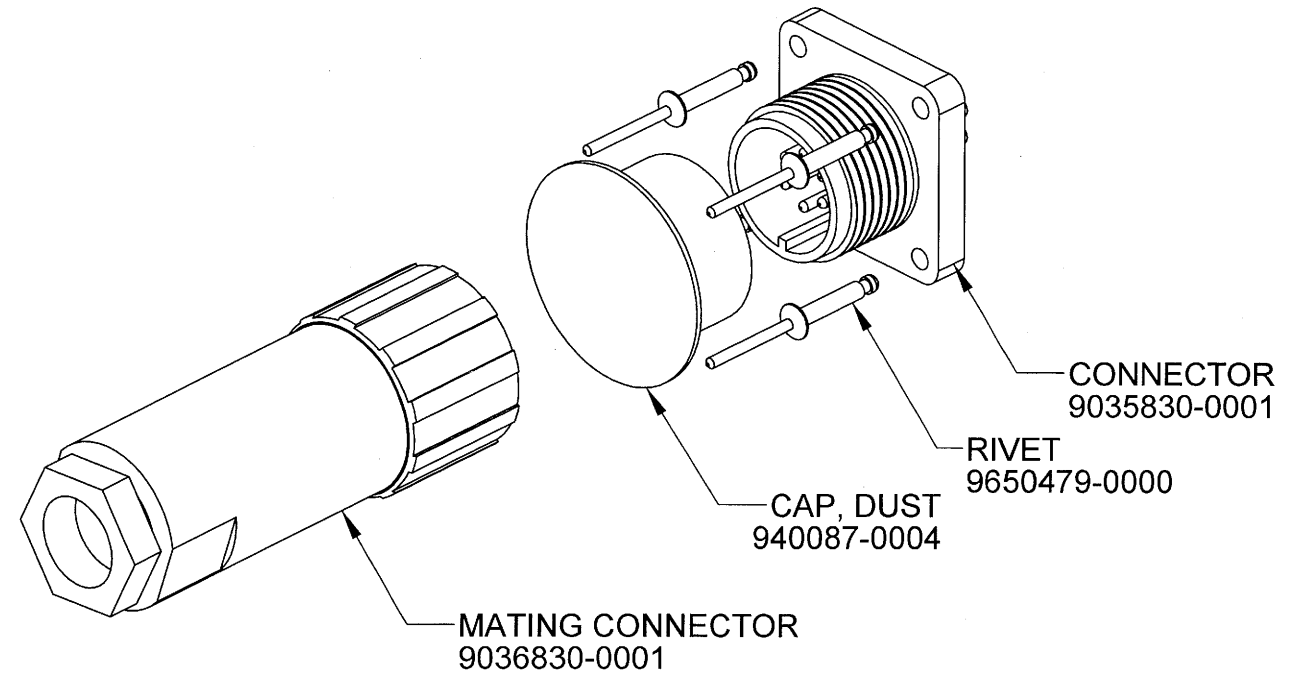
	50 INCH	150 INCH	1250 MM	2500 MM	
A	FRAME	9678655-0001	9673547-0001	9678655-0001	9673547-0001
	SPOOL	9678656-0002	9676238-0002	9678656-0001	9676238-0001
	COVER	9676437-0000	9673990-0000	9676437-0000	9673990-0000
	BASEPLATE	9674098-0000	9673554-0005	9674098-0000	9673554-0005
	SPRING ASSY	9603902-0000	9603569-0000	9603902-0000	9603569-0000
	CABLE SUBASSY	9604082-0050	9604195-0150	9604082-0050	9603755-0100
	CABLE GUIDE	9678658-0000	9676792-0000	9678658-0000	9676792-0000
B	ENCODER PLATE	9678657-0000	9676207-0001	9678657-0000	9676207-0001
	ENCODER SCW	9650444-0216	9006221-8307	9650444-0216	9006221-8307
	C'SINK SCW,#8-32	9006221-830D	9006221-8307	9006221-830D	9006221-8307
	COVER SCW	9650444-0050	9007121-4405	9650444-0050	9007121-4405

TABLE 2

C	10.8-26.4 VDC OPEN COLLECTOR/A,B, 1000 LINES	9650650-1000
	10.8-26.4 VDC OPEN COLLECTOR/A,B, 2000 LINES	9650650-2000
	10.8-26.4 VDC OPEN COLLECTOR/A,B, 2500 LINES	9650650-2500
	10.8-26.4 VDC OPEN COLLECTOR/A,B, 100 LINES	9650650-0100
	4.5-13.2 VDC TTL&CMOS/1000 LINES PER REV	9650648-1000
	4.5-13.2 VDC TTL&CMOS/2000 LINES PER REV	9650648-2000
D	4.5-13.2 VDC TTL&CMOS/2500 LINES PER REV	9650648-2500
	4.5-13.2 VDC TTL&CMOS/100 LINES PER REV	9650648-0100
	10.8-26.4 VDC OPEN COLLECTOR/A,B, 1000 LINES WITH RES,MFILM,1/8W,1%,4.99K OHMS	9650650-1000 9103311-4991
	10.8-26.4 VDC OPEN COLLECTOR/A,B, 2000 LINES WITH RES,MFILM,1/8W,1%,4.99K OHMS	9650650-2000 9103311-4991
	10.8-26.4 VDC OPEN COLLECTOR/A,B, 2500 LINES WITH RES,MFILM,1/8W,1%,4.99K OHMS	9650650-2500 9103311-4991
	10.8-26.4 VDC OPEN COLLECTOR/A,B, 100 LINES WITH RES,MFILM,1/8W,1%,4.99K OHMS	9650650-0100 9103311-4991

TABLE 3

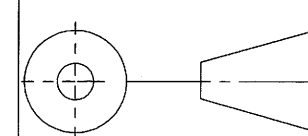
PIN	WIRE COLOR	FUNCTION
A	RED	INPUT
B	BLACK	COMMON
C	WHITE	"A" OUTPUT
D	GREEN	"B" OUTPUT
E	N/A	N/C
F	N/A	N/C



ORIGINAL

INFORMATION AND DATA SET FORTH HEREIN ARE DISCLOSED IN CONFIDENCE AND ARE PROPRIETARY TO AND THE PROPERTY OF CELESCO TRANSDUCER PRODUCTS INC. AND SHALL NOT BE USED, DUPLICATED, DISCLOSED OR TRANSFERRED, IN WHOLE OR IN PART, FOR ANY PURPOSE, WITHOUT THE EXPRESS PRIOR WRITTEN CONSENT OF CELESCO TRANSDUCER PRODUCTS INC.

THIRD ANGLE PROJECTION



celesco
20630 Plummer St
Chatsworth, CA. 91311
Tel:(818)701-2750 Fax:(818)701-2799
www.celesco.com
Transducer Products Inc.

TITLE
**ASSEMBLY DRAWING
PT150 SERIES**

APPROVALS	DATE	SIZE	CODE IDENT. NO	DWG. NO.	REV
DRAWN A. ALVAREZ	02/05/09	B	52158	PS-160	B
CHKD <i>MSL</i>	<i>2/5/09</i>	DO NOT SCALE DRAWING		SCALE: 1:2	SHEET 2 OF 4

A
B
C
D
E
F
G

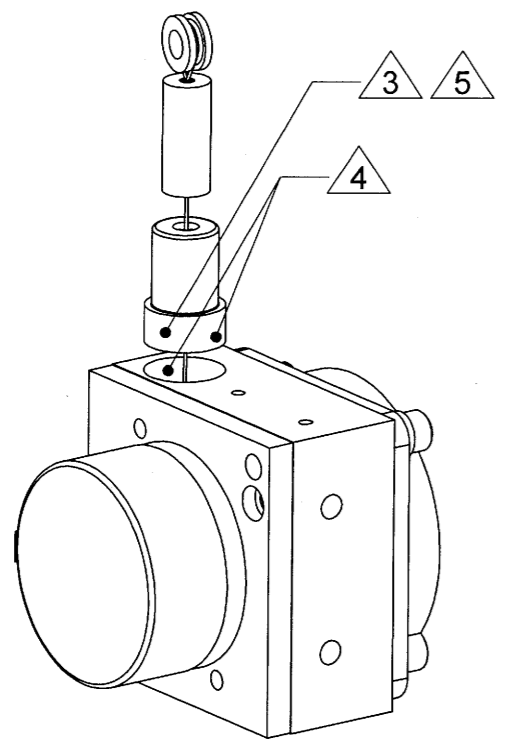
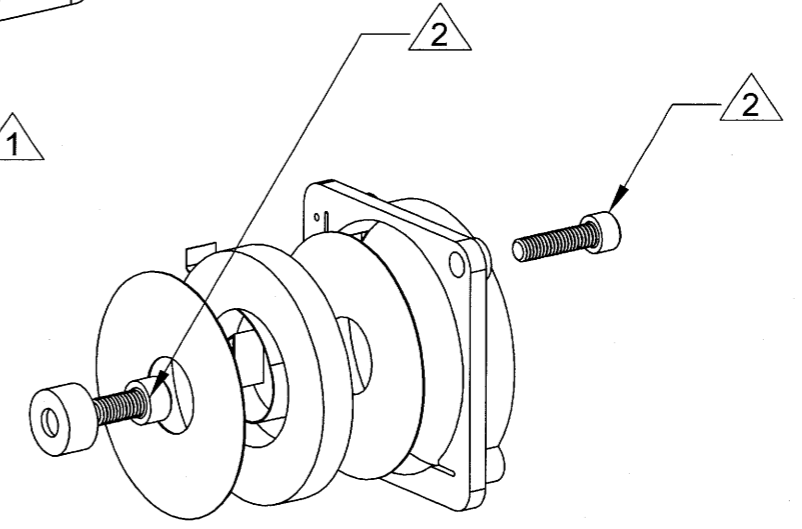
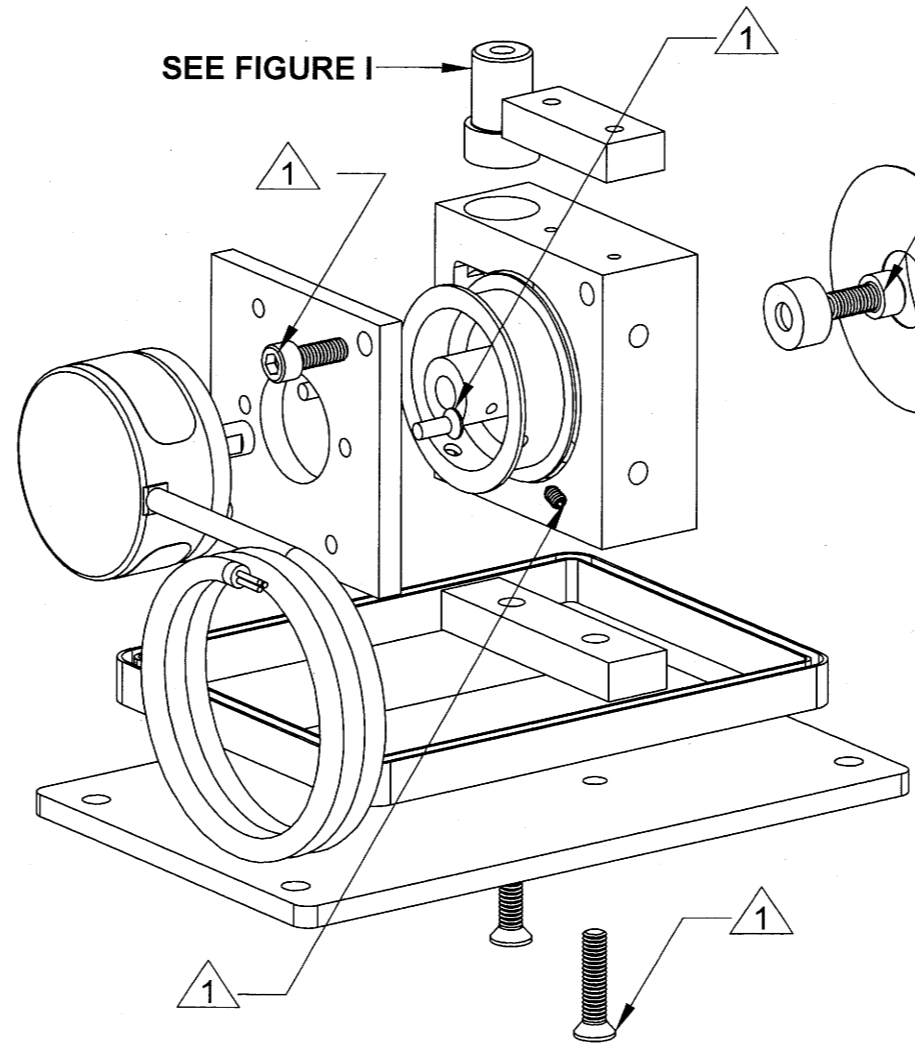
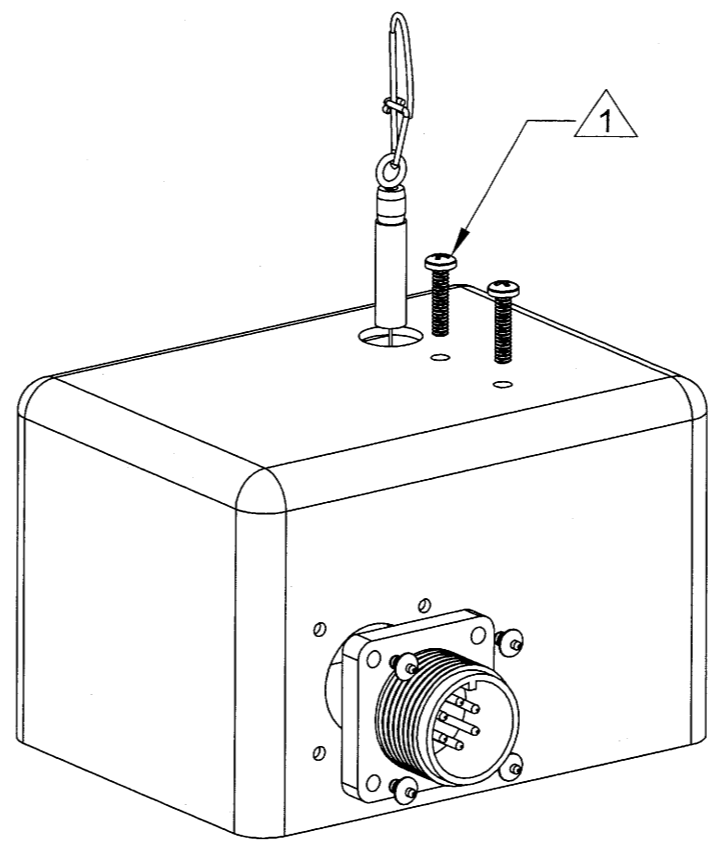


FIGURE I



- 1 APPLY LOCTITE PRIMER 7649, ALLOW TO DRY, THEN USING THE PINK LOCTITE DISPENSER TIP, 9650602-0001, APPLY 2 DROPS OF LICITTE 222.
- 2 APPLY 2 DROPS OF LOCTITE 425 ONLY, USE BLUE DISPENSER TIP 9650602-0000.
- 3 USE SANDPAPER (150-220 GRIT) TO ROUGHEN ALL AROUND DELRIN SUERFACE SHOWN.
- 4 CLEAN SURFACES WITH LOCTITE PRIMER 770, ALLOW TO DRY.
- 5 APPLY 2-3 DROPS OF LOCTITE 480 TO AREA SHOWN, ALL AROUND, SPECIFIC DISPENSING NOZZLE NOT REQUIRED. INSTALL GUIDE INTO FRAME WITH A TWISTING MOTION.

SEE FIGURE I

ORIGINAL

INFORMATION AND DATA SET FORTH HEREIN ARE DISCLOSED IN CONFIDENCE AND ARE PROPRIETARY TO AND THE PROPERTY OF CELESCO TRANSDUCER PRODUCTS INC. AND SHALL NOT BE USED, DUPLICATED, DISCLOSED OR TRANSFERRED, IN WHOLE OR IN PART, FOR ANY PURPOSE, WITHOUT THE EXPRESS PRIOR WRITTEN CONSENT OF CELESCO TRANSDUCER PRODUCTS INC.

20630 Plummer St
Chatsworth, CA. 91311
Tel: (818) 701-2750 Fax: (818) 701-2799
www.celesco.com

celesco
Transducer Products Inc.

THIRD ANGLE PROJECTION

TITLE
**ASSEMBLY DRAWING
PT150 SERIES**

APPROVALS		DATE		SIZE	CODE IDENT. NO	DWG. NO.	REV
DRAWN	A. ALVAREZ	02/05/09		B	52158	PS-160	B
CHKD	MSK	7/9/09		DO NOT SCALE DRAWING		SCALE: 1:1	SHEET 3 OF 4

