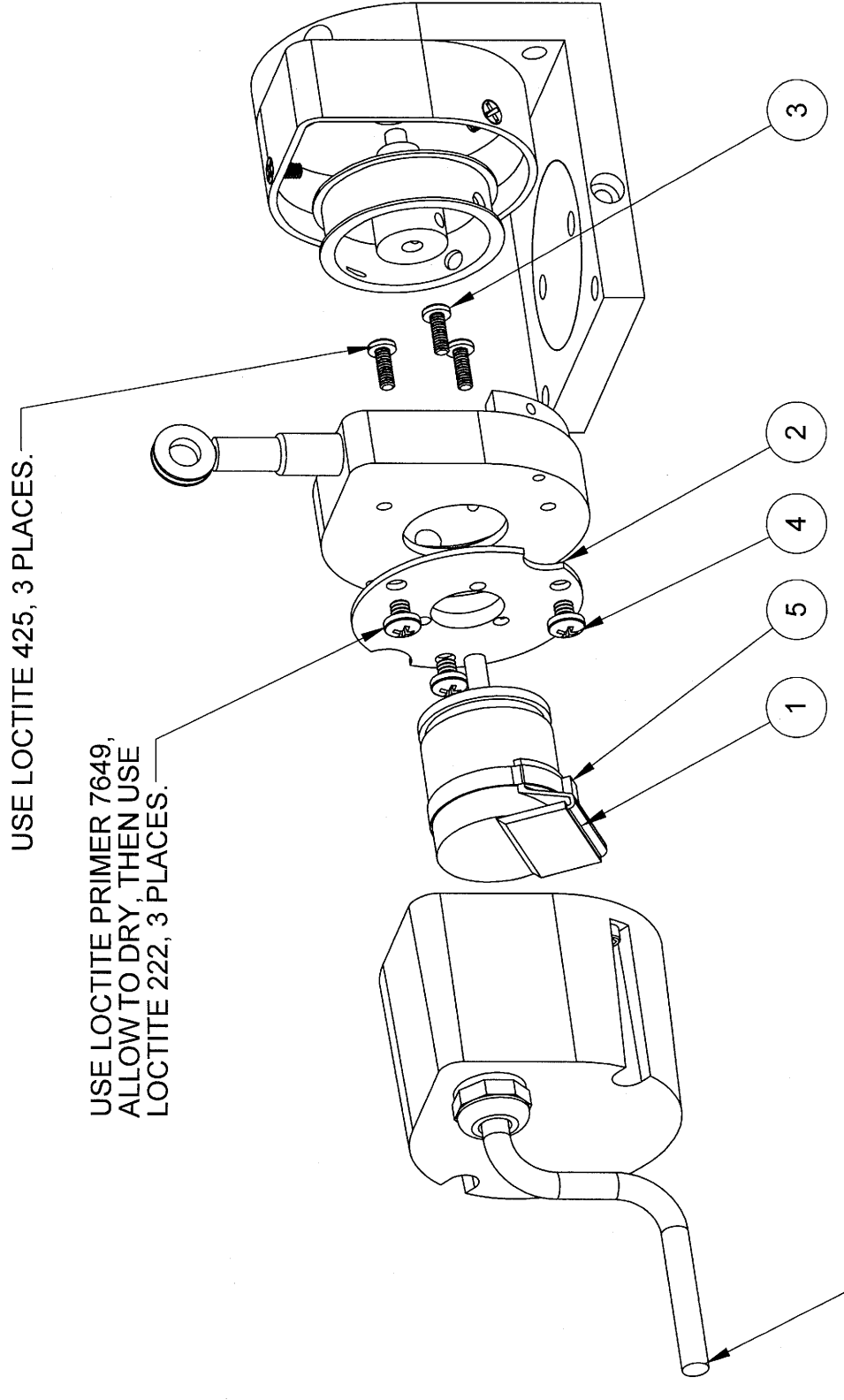


REV.	DESCRIPTION	DATE	APPROVED
A	SEE DCN: 6842	3/10/2009	<i>DL</i>

8	9	10
---	---	----



USE LOCTITE 425, 3 PLACES.

USE LOCTITE PRIMER 7649,
ALLOW TO DRY, THEN USE
LOCTITE 222, 3 PLACES.

PREPARE WIRE PER SHEET 2
FOR INSTRUMENTATION CABLE
AND SHEET 3 FOR CONNECTOR.

ORIGINAL

- NOTES: UNLESS OTHERWISE SPECIFIED**
- BUILD PER PS-150 FOR DETAILS NOT SHOWN ON THIS DRAWING.

INFORMATION AND DATA SET FORTH HEREIN ARE DISCLOSED IN CONFIDENCE AND ARE PROPRIETARY TO AND THE PROPERTY OF CELESCO TRANSDUCER PRODUCTS INC. AND SHALL NOT BE USED, DUPLICATED, DISCLOSED OR TRANSFERRED, IN WHOLE OR IN PART, FOR ANY PURPOSE, WITHOUT THE EXPRESS PRIOR WRITTEN CONSENT OF CELESCO TRANSDUCER PRODUCTS INC.

celesco
20630 Plummer St
Chatsworth, CA. 91311
Tel:(618)701-2750 Fax:(618)701-2799
www.celesco.com

Transducer Products Inc.

THIRD ANGLE PROJECTION

APPROVALS

DRAWN	E.GARCIA	DATE	3/10/2009
CHKD	<i>MSK</i>		3/10/09

DO NOT SCALE DRAWING

SIZE	CODE IDENT. NO/DWG. NO.	REV
B	52158	PS-163

MT2E ASSEMBLY

SCALE: 1:1 SHEET 1 OF 4

ITEM NO.	PART NUMBER	DESCRIPTION	QTY.
5	9032104-0001	CABLE TIE, 4 IN LONG	1
4	9650444-0129	MSCR CRES 0.112-40X0.12 XRSPNH	3
3	9650444-0124	MSCR CRES 0.086-56X0.25 XRSPND	3
2	9678689-0000	BRACKET, MOUNTING, ENC, MT2E	1
1	9000910-0102	ENCODER, MT2E, 1000 LINE, 5-26VDC	1

